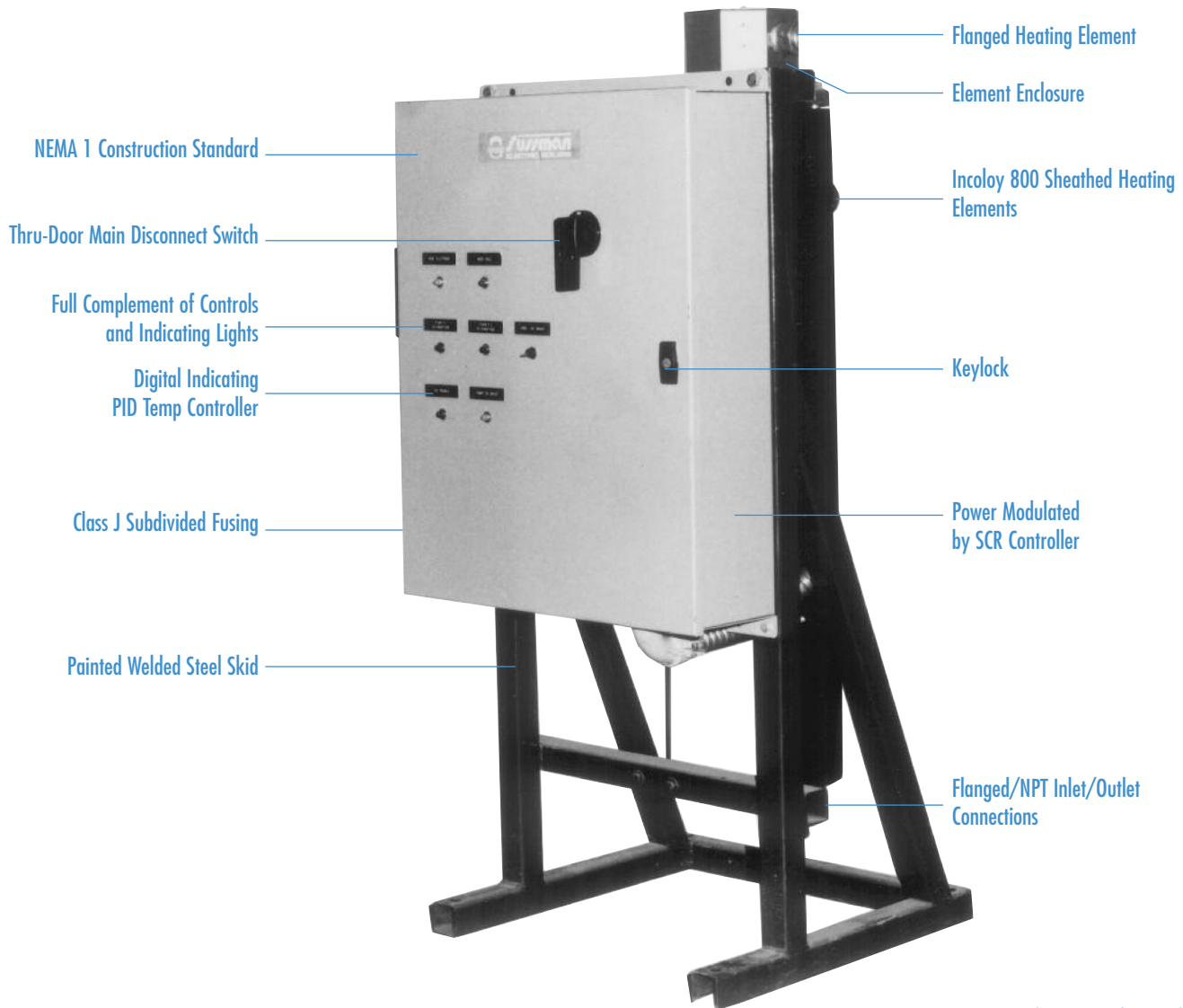




SUSSMAN
ELECTRIC BOILERS
A Brand of Diversified Heat Transfer, Inc.

SSH Series Electric Steam Superheaters



Boiler may not be exactly as shown

Sussman SSH Series Steam Superheaters Designed to Your Special Heating Requirements

The Sussman SSH Steam Superheaters are suitable for the heating of saturated steam under pressurized conditions, adding BTU's to increase the quality and raise the temperature of saturated steam to your process.

The SSH Series provides a safe, reliable, energy-efficient method for a multitude of industrial applications where house steam or dedicated-boiler steam is available.

Suitable for almost any environment, the SSH is designed for free standing and in-line superheating, including these features:

- ASME Code pressure vessel, National Board registered.
- Standard ratings up to 1000° F/750 PSIG.
- Incoloy 800 high grade Stainless Steel elements
- Flange or NPT inlet/outlet connections.
- Just set in place, connect power source and complete inlet/outlet piping.

SSH-Standard Features

- Pre-mounted, wired and tested control panel.
- Fully insulated vessel with outer metal enclosure.
- Carbon steel construction up to 750° F discharge temperature.
- Built-in 120V control circuit.
- Electronic digital PID temperature controller and electronic high limit temperature protection.
- Incoming power fully modulated from zero to maximum KW via SCR.

Code Requirements

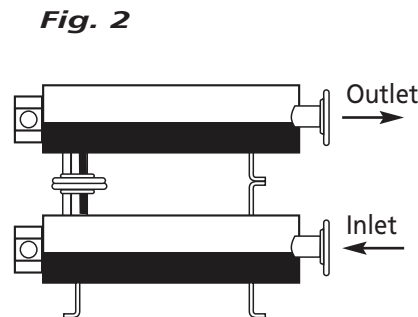
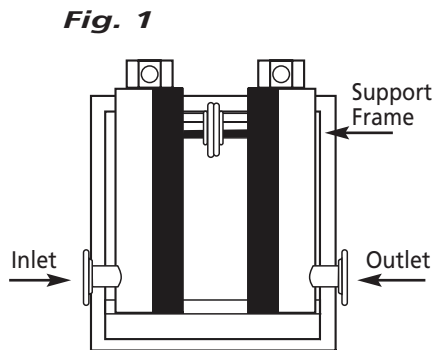
- Pressure vessel ASME Code Stamped and National Board registered.
- Built to NEC electrical wiring requirements.

Standard Optional Equipment

- NEMA 4, 12 Area classification.
- Superheater and control panel for separate mounting.
- Stainless Steel wetted-parts construction
- Addition of inlet flow switch.
- Inlet and outlet valves.
- Pressures up to 300 PSIG and Temperatures up to 1600° F.
- Voltmeters, ammeters surface mounted on control panel.

Multi-Stage Units

Sussman SSH steam superheaters are available as multi-stage assemblies with either vertical or horizontal vessel orientations as shown in Fig. 1 and Fig. 2:



The following chart gives guidelines to properly select a Sussman Series SSH steam superheater for your application. Specify voltage/phase/hertz. Contact factory for additional sizing guidelines.

Gauge Pressure (PSIG)	REQUIRED BTU'S PER LB. OF STEAM TO REACH FINAL TEMPERATURE OF:					
	300°F	400°F	450°F	500°F	600°F	700°F
15	152	193	223	253	314	374
25	144	206	236	266	327	387
35	136	197	227	257	318	378
45	131	192	222	252	313	373
55		188	218	248	309	369
65		181	211	241	303	363
75		179	209	239	301	361
85		176	206	236	297	357
95		174	204	234	295	355
105		171	201	231	292	352
115		169	199	229	290	350
125		168	198	228	289	349
135		168	198	228	289	349
145		168	192	222	284	344
155		161	191	221	282	342
165		160	190	220	281	341
175		161	191	221	282	342
185		159	189	219	280	340
195		156	186	216	277	337
205		159	189	219	280	340
215		159	189	219	280	340
225		155	185	215	276	336
235		151	181	211	272	332
245		149	179	209	270	330
255		149	179	209	270	330